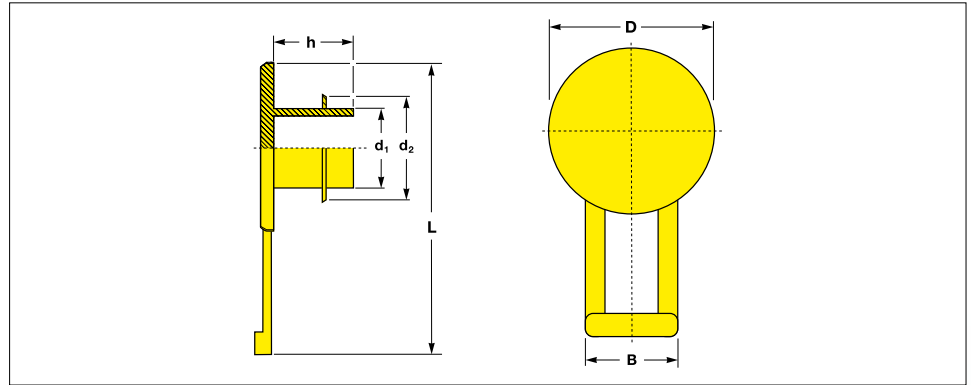


Push-Fit Side Release Plugs with 1 strong Fin

Push fit. With strong, flexible side-tab for quick removal

Designed to protect DKO-compression fittings

Fin gives a firm fit into threaded or plain ports. Low-abrasion fit



All dimensions in mm

Metric Thread	Body Ø	Fin Ø	Flange	Height	Length	Pull Tab	Reference No.
	d ₁	d ₂	D	h	L	B	
M 12 × 1.5	9.8	11.8	16.0	7.0	26.0	12.0	EP 380 / M 12 × 1.5
M 14 × 1.5	11.2	13.8	19.0	7.0	29.0	12.0	EP 380 / M 14 × 1.5
M 16 × 1.5	14.0	15.8	21.5	7.3	33.75	14.0	EP 380 / M 16 × 1.5
M 18 × 1.5	15.5	17.8	25.0	7.0	37.5	14.0	EP 380 / M 18 × 1.5
M 20 × 1.5	17.5	19.8	27.0	7.5	39.5	14.0	EP 380 / M 20 × 1.5
M 22 × 1.5	19.5	21.8	29.0	7.5	45.5	14.0	EP 380 / M 22 × 1.5
M 24 × 1.5	21.5	23.8	30.0	7.5	46.0	14.0	EP 380 / M 24 × 1.5
M 26 × 1.5	22.8	25.8	32.0	8.0	47.0	14.0	EP 380 / M 26 × 1.5
M 30 × 2	26.5	29.5	34.6	10.0	48.5	14.8	EP 380 / M 30 × 2
M 36 × 2	32.5	35.5	39.6	10.0	54.0	14.0	EP 380 / M 36 × 2
M 42 × 2	38.5	41.5	49.2	10.0	64.0	15.0	EP 380 / M 42 × 2
M 45 × 2	41.5	44.5	49.0	10.0	63.6	15.0	EP 380 / M 45 × 2
M 52 × 2	48.3	51.5	59.0	10.0	74.0	15.0	EP 380 / M 52 × 2

Material :
LLD-PE,
linear low density polyethylene

Standard Colour :
blue, RAL 5012

Push fit. With strong, flexible side-tab for quick removal.
Designed to protect DKO-compression fittings.

Fin gives a firm fit into threaded or plain ports. Low-abrasion fit.

Think Plastic. Go Protec.®

PROTEC
PLASTICS

Example of application

All dimensions in mm

Reference No. EP 380 /	Suitable for DKO-Fitting		
M 12 × 1.5		6L	
M 14 × 1.5	6S		8L
M 16 × 1.5	8S		10L
M 18 × 1.5	10S		12L
M 20 × 1.5		12S	
M 22 × 1.5	14S		15L
M 24 × 1.5		16S	
M 26 × 1.5		18L	
M 30 × 2	20S		22L
M 36 × 2	25S		28L
M 42 × 2		30S	
M 45 × 2		35L	
M 52 × 2	38S		42L

Should your requirements not be shown please ask for a separate quotation.
PROTEC products and specifications are subject to improvement and change without notice.

Push-Fit Side Release Plugs with 1 strong Fin

Push fit. With strong, flexible side-tab for quick removal
 Designed to protect DKO-compression fittings
 Fin gives a firm fit into threaded or plain ports. Low-abrasion fit

TRIPLE ADVANTAGE of PROTEC CAPTOP®

QUALITY. Push-Fit application for easy installation. Side Pull Tab is designed for easy removal in awkward locations. This range offers the convenience of a push-fit plug with the plugging quality of a threaded plug. Fits a range of threaded and plain ports.

AVAILABILITY. With over 400 million moulded components shipped from our UK logistics center we provide the fastest on time delivery service to all industries of the UK market.

PHILOSOPHY. Innovative protective closures at the best price in the market.



CAPTOP®



NEW

Material :
 LLD-PE,
 linear low density polyethylene

Standard Colour :
 blue, RAL 5012

Individual Productions :
 On request we develop and produce individually tailored solutions next to the standard items of this range: additional dimensions, different materials and new colours

We would be pleased to advise you.

Think Plastic. Go Protec.®

**PROTEC
 PLASTICS**