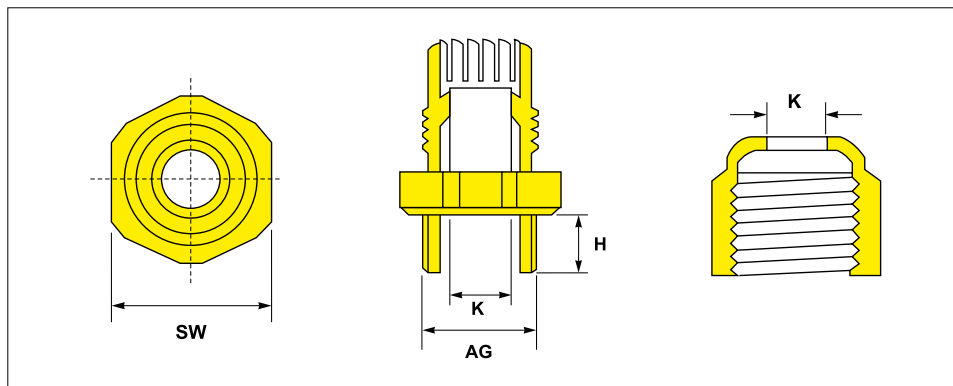


Type-A Cable Glands for quick-fit installation



Metric

**Standard Clamping range
Standard connecting thread**

All dimensions in mm

Connecting Thread	Clamping Range	Standard Connecting Thread Length	Spanner Size	Reference-No.	Type
AG	K	H	SW		
M 12 × 1.5	3.0 – 6.5	8.0	SW 15	EPN 250 / M 12	A
M 16 × 1.5	6.0 – 10.0	8.0	SW 19	EPN 250 / M 16 N	A
M 20 × 1.5	7.0 – 12.0	9.0	SW 24	EPN 250 / M 20 N	A
M 25 × 1.5	11.0 – 17.0	10.0	SW 30	EPN 250 / M 25 N	A
M 32 × 1.5	15.0 – 21.0	10.0	SW 36	EPN 250 / M 32 N	A
M 40 × 1.5	19.0 – 28.0	10.0	SW 46	EPN 250 / M 40 N	A
M 50 × 1.5	27.0 – 35.0	12.0	SW 55	EPN 250 / M 50 N	A
M 63 × 1.5	34.0 – 45.0	12.0	SW 66	EPN 250 / M 63 N	A

Material :
PA 6,
impact resistant nylon,
V0 according to UL 94

Standard Colours :
light grey RAL 7035
dark grey RAL 7001
black RAL 9005

optional :
white RAL 9010
red RAL 3000

Optional colours on request.

VDE and UL certification
Superior Protection

Watertight, IP 68 rated protection
- 5 bar, built-in vibration proof, strain relief. Temperature Range: Working -40°F to 221°F (-40°C to 105°C).

Think Plastic. Go Protec.®



Metric

**Standard Clamping range
Extendend connecting thread**

M 12 × 1.5	3.0 – 6.5	15.0	SW 15	EPN 250 / M 12 L	A
M 16 × 1.5	6.0 – 10.0	15.0	SW 19	EPN 250 / M 16 LN	A
M 20 × 1.5	7.0 – 12.0	15.0	SW 24	EPN 250 / M 20 LN	A
M 25 × 1.5	11.0 – 17.0	15.0	SW 30	EPN 250 / M 25 LN	A
M 32 × 1.5	15.0 – 21.0	15.0	SW 36	EPN 250 / M 32 LN	A
M 40 × 1.5	19.0 – 28.0	18.0	SW 46	EPN 250 / M 40 LN	A
M 50 × 1.5	27.0 – 35.0	18.0	SW 55	EPN 250 / M 50 LN	A
M 63 × 1.5	34.0 – 45.0	18.0	SW 66	EPN 250 / M 63 LN	A

Should your requirements not be shown please ask for a separate quotation.
PROTEC products and specifications are subject to improvement and change without notice.

Quick-Fit® Cable Glands, Nylon - Liquid Tight and Strain Relief

Type-A	Cable Glands for quick-fit installation
Type-B	Cable Glands for extreme mechanical demands

TRIPLE ADVANTAGE of PROTEC QUICK-FIT®

QUALITY. Both types of Quick-Fit EPN 250 Nylon Cable Glands provide you with both the highest degree of functionality and safety. Designed for a perfect grip and effortless spanner tight seal. Built-in vibration protection system to eliminate loss of torque. Perfect, watertight seal IP 68 - 5 bar. For optimal strain relief and cable protection combined with a generous clamping range. For secure and rapid assembly.

AVAILABILITY. With over 400 million moulded components shipped from our UK logistics center we provide the fastest on time delivery service to all industries of the UK market.

PHILOSOPHY. The highest degree of Protec Quick-Fit functionality and safety at the best price in the market.

TYPE-A:	Cable Glands for quick-fit installation
TYPE-B:	Cable Glands for extreme mechanical demands
TEMPERATURE RANGE	- 30° C / + 100° C
VIBRATION PROOF	Built-in vibration protection system to eliminate loss of torque
FIRE CLASS	V0 according to UL 94
PROTECTION CLASS	IP 68 – 5 bar
BLADE SYSTEM	For optimal strain relief and cable protection combined with a generous clamping range
MULTIPLE-THREADS	For secure and rapid assembly



O-Ring design example



Material :
PA 6,
impact resistant nylon,
V0 according to UL 94

Standard Colours :
light grey RAL 7035
dark grey RAL 7001
black RAL 9005

optional:
white RAL 9010
red RAL 3000

Optional colours on request.

Individual Productions :
On request we develop and produce individually tailored solutions next to the standard items of this range: additional dimensions, different materials and new colours

We would be pleased to advise you.

Think Plastic. Go Protec.®

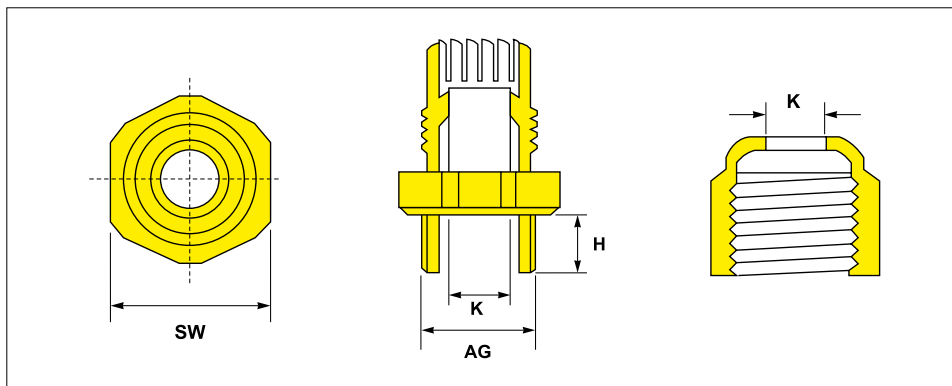
**PROTEC
PLASTICS**

Quick-Fit® Cable Glands, Nylon - Liquid Tight and Strain Relief

Type-A Cable Glands for quick-fit installation

strong

FLEXIBLE PRODUCTION



IP 68

Metric

Reduced Clamping range
Standard mounting thread lengths

All dimensions in mm

Connecting Thread	Clamping Range	Standard Connecting Thread Length	Spanner Size	Reference-No.	Type
M 12 × 1.5	3.0 – 6.0	8.0	SW 15	EPN 250 / M 12 RN	A
M 16 × 1.5	5.0 – 7.0	8.0	SW 19	EPN 250 / M 16 RN	A
M 20 × 1.5	6.0 – 9.0	9.0	SW 24	EPN 250 / M 20 RN	A
M 25 × 1.5	8.0 – 13.0	10.0	SW 30	EPN 250 / M 25 RN	A
M 32 × 1.5	11.0 – 15.0	10.0	SW 36	EPN 250 / M 32 RN	A
M 40 × 1.5	15.0 – 23.0	10.0	SW 46	EPN 250 / M 40 RN	A
M 50 × 1.5	22.0 – 29.0	12.0	SW 55	EPN 250 / M 50 RN	A
M 63 × 1.5	28.0 – 39.0	12.0	SW 66	EPN 250 / M 63 RN	A

Material :

PA 6,
impact resistant nylon,
V0 according to UL 94

Standard Colours :

light grey RAL 7035
dark grey RAL 7001
black RAL 9005

optional :

white RAL 9010
red RAL 3000

Optional colours on request.

**VDE and UL certification
Superior Protection**

Watertight, IP 68 rated protection
- 5 bar, built-in vibration proof, strain relief. Temperature Range: Working -40°F to 221°F (-40°C to 105°C).

Think Plastic. Go Protec.®



Metric

Reduced Clamping range
Extended mounting thread lengths

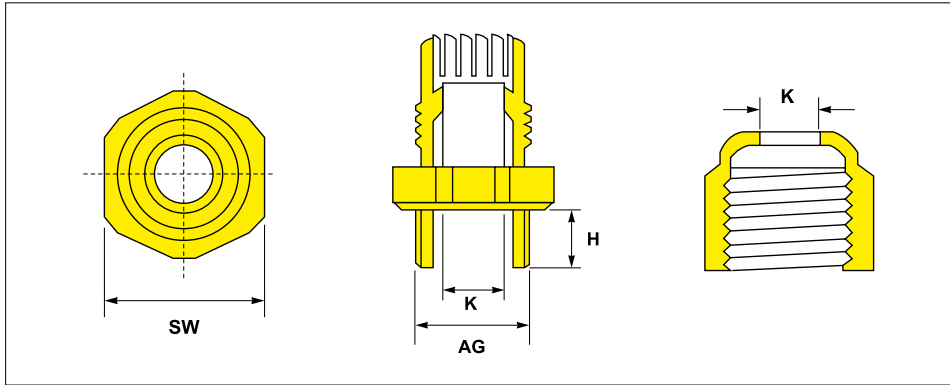
All dimensions in mm

M 12 × 1.5	2.0 – 5.0	15.0	SW 15	EPN 250 / M 12 LRN	A
M 16 × 1.5	2.0 – 7.0	15.0	SW 19	EPN 250 / M 16 LRN	A
M 20 × 1.5	5.0 – 9.0	15.0	SW 24	EPN 250 / M 20 LRN	A
M 25 × 1.5	6.0 – 13.0	15.0	SW 30	EPN 250 / M 25 LRN	A
M 32 × 1.5	7.0 – 15.0	15.0	SW 36	EPN 250 / M 32 LRN	A
M 40 × 1.5	15.0 – 23.0	18.0	SW 46	EPN 250 / M 40 LRN	A
M 50 × 1.5	22.0 – 29.0	18.0	SW 55	EPN 250 / M 50 LRN	A
M 63 × 1.5	28.0 – 39.0	18.0	SW 66	EPN 250 / M 63 LRN	A

Should your requirements not be shown please ask for a separate quotation.
PROTEC products and specifications are subject to improvement and change without notice.

Quick-Fit® Cable Glands, Nylon - Liquid Tight and Strain Relief

Type-B Cable Glands for extreme mechanical demands



C UL US C RU US IP 68



Metric Enlarged Clamping range Standard mounting thread lengths

All dimensions in mm

Connecting Thread	Clamping Range	Standard Connecting Thread Length	Spanner Size	Reference-No.	Type
AG	K	H	SW		
M 16 × 1.5	4.0 – 8.0	8.0	SW 19	EPN 250 / M 16	B
M 20 × 1.5	10.0 – 14.0	10.2	SW 27	EPN 250 / M 20 E	B
M 25 × 1.5	10.0 – 14.0	11.0	SW 27	EPN 250 / M 25 E	B
M 25 × 1.5	13.0 – 18.0	11.0	SW 33	EPN 250 / M 25 E2	B
M 32 × 1.5	18.0 – 25.0	12.0	SW 42	EPN 250 / M 32 E	B
M 40 × 1.5	22.0 – 32.0	13.0	SW 53	EPN 250 / M 40	B
M 50 × 1.5	30.0 – 38.0	13.0	SW 60	EPN 250 / M 50	B

Material :
PA 6,
impact resistant nylon,
V0 according to UL 94

Standard Colours :
light grey RAL 7035
dark grey RAL 7001
black RAL 9005

optional:
white RAL 9010
red RAL 3000

Optional colours on request.

Individual Productions :
On request we develop and produce individually tailored solutions next to the standard items of this range: additional dimensions, different materials and new colours

We would be pleased to advise you.

Metric Enlarged Clamping range Extended mounting thread lengths

All dimensions in mm

M 20 × 1.5	10.0 – 14.0	15.0	SW 27	EPN 250 / M 20 EL	B
M 25 × 1.5	13.0 – 18.0	15.0	SW 33	EPN 250 / M 25 EL	B
M 32 × 1.5	18.0 – 25.0	15.0	SW 42	EPN 250 / M 32 EL	B
M 40 × 1.5	22.0 – 32.0	18.0	SW 53	EPN 250 / M 40 L	B
M 50 × 1.5	30.0 – 38.0	18.0	SW 60	EPN 250 / M 50 L	B

Should your requirements not be shown please ask for a separate quotation.
PROTEC products and specifications are subject to improvement and change without notice.

Think Plastic. Go Protec.®

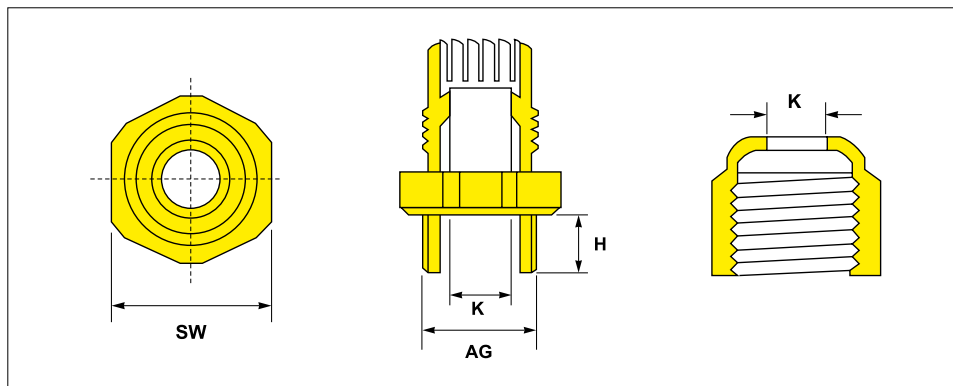
**PROTEC
PLASTICS**

Quick-Fit® Cable Glands, Nylon - Liquid Tight and Strain Relief

Type-B Cable Glands for extreme mechanical demands

immediate

FREE SAMPLES



IP 68

Material :
PA 6,
impact resistant nylon,
V0 according to UL 94

Standard Colours :
light grey RAL 7035
dark grey RAL 7001
black RAL 9005

optional :
white RAL 9010
red RAL 3000

Optional colours on request.

**VDE and UL certification
Superior Protection**

Watertight, IP 68 rated protection
- 5 bar, built-in vibration proof,
strain relief. Temperature Range: Working
-40°F to 221°F (-40°C to 105°C).

Think Plastic. Go Protec.®



Metric

**Reduced Clamping range
Standard mounting thread lengths**

All dimensions in mm

Connecting Thread	Clamping Range	Standard Connecting Thread Length	Spanner Size	Reference-No.	Type
M 16 × 1.5	2.0 – 6.0	8.0	SW 19	EPN 250 / M 16 R	B
M 20 × 1.5	7.0 – 12.0	11.0	SW 27	EPN 250 / M 20 R	B
M 25 × 1.5	7.0 – 12.0	11.0	SW 27	EPN 250 / M 25 R	B
M 32 × 1.5	12.0 – 20.0	10.0	SW 42	EPN 250 / M 32 R	B
M 40 × 1.5	20.0 – 26.0	13.0	SW 53	EPN 250 / M 40 R	B
M 50 × 1.5	25.0 – 31.0	13.0	SW 60	EPN 250 / M 50 R	B

Metric

**Reduced Clamping range
Extended mounting thread lengths**

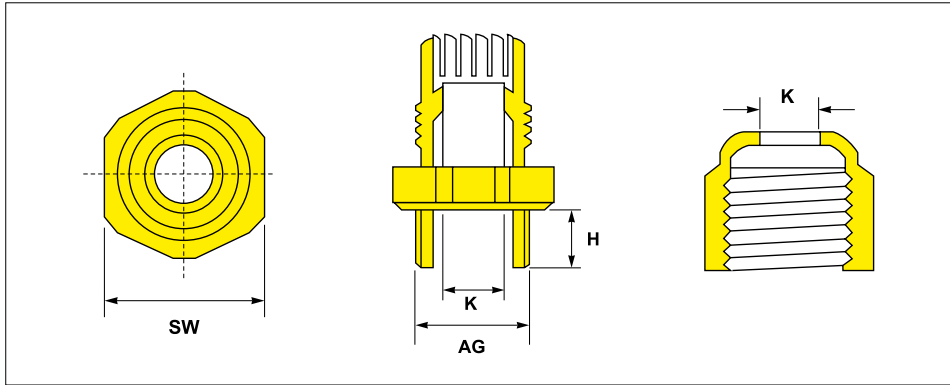
All dimensions in mm

M 20 × 1.5	7.0 – 12.0	15.0	SW 27	EPN 250 / M 20 LR	B
M 25 × 1.5	9.0 – 16.0	15.0	SW 33	EPN 250 / M 25 LR	B
M 32 × 1.5	12.0 – 20.0	15.0	SW 42	EPN 250 / M 32 LR	B
M 40 × 1.5	20.0 – 26.0	18.0	SW 53	EPN 250 / M 40 LR	B
M 50 × 1.5	25.0 – 31.0	18.0	SW 60	EPN 250 / M 50 LR	B

Should your requirements not be shown please ask for a separate quotation.
PROTEC products and specifications are subject to improvement and change without notice.

Quick-Fit® Cable Glands, Nylon - Liquid Tight and Strain Relief

Type-B Cable Glands for extreme mechanical demands



PG Enlarged Clamping range
Standard mounting thread lengths

All dimensions in mm

Connecting Thread	Clamping Range	Standard Connecting Thread Length	Spanner Size	Reference-No.	Type
AG	K	H	SW		
PG 7	3.0 – 6.5	8.0	SW 15	EPN250 / PG 7	B
PG 9	4.0 – 8.0	8.0	SW 19	EPN250 / PG 9	B
PG 11	4.5 – 10.0	8.0	SW 22	EPN250 / PG 11	B
PG 13.5	6.0 – 12.0	9.0	SW 24	EPN250 / PG 13.5	B
PG 16	10.0 – 14.0	10.2	SW 27	EPN250 / PG 16	B
PG 21	13.0 – 18.0	11.0	SW 33	EPN250 / PG 21	B
PG 29	18.0 – 25.0	11.0	SW 42	EPN250 / PG 29	B
PG 36	22.0 – 32.0	13.0	SW 53	EPN250 / PG 36	B
PG 42	30.0 – 38.0	13.0	SW 60	EPN250 / PG 42	B
PG 48	34.0 – 44.0	14.0	SW 65	EPN250 / PG 48	B

PG Enlarged Clamping range
Extended mounting thread lengths

All dimensions in mm

PG 7	2.0 – 5.0	8.0	SW 15	EPN 250 / PG 7 R	B
PG 9	2.0 – 6.0	8.0	SW 19	EPN 250 / PG 9 R	B
PG 11	3.0 – 7.0	8.0	SW 22	EPN 250 / PG 11 R	B
PG 13.5	5.0 – 9.0	9.0	SW 24	EPN 250 / PG 13.5 R	B
PG 16	7.0 – 12.0	10.2	SW 27	EPN 250 / PG 16 R	B
PG 21	9.0 – 16.0	11.0	SW 33	EPN 250 / PG 21 R	B
PG 29	12.0 – 20.0	11.0	SW 42	EPN 250 / PG 29 R	B
PG 36	20.0 – 26.0	13.0	SW 53	EPN 250 / PG 36 R	B

Material :
PA 6,
impact resistant nylon,
V0 according to UL 94

Standard Colours :
light grey RAL 7035
dark grey RAL 7001
black RAL 9005

optional:
white RAL 9010
red RAL 3000

Optional colours on request.

Individual Productions :
On request we develop and produce individually tailored solutions next to the standard items of this range: additional dimensions, different materials and new colours

We would be pleased to advise you.

Think Plastic. Go Protec.®



Should your requirements not be shown please ask for a separate quotation.
PROTEC products and specifications are subject to improvement and change without notice.