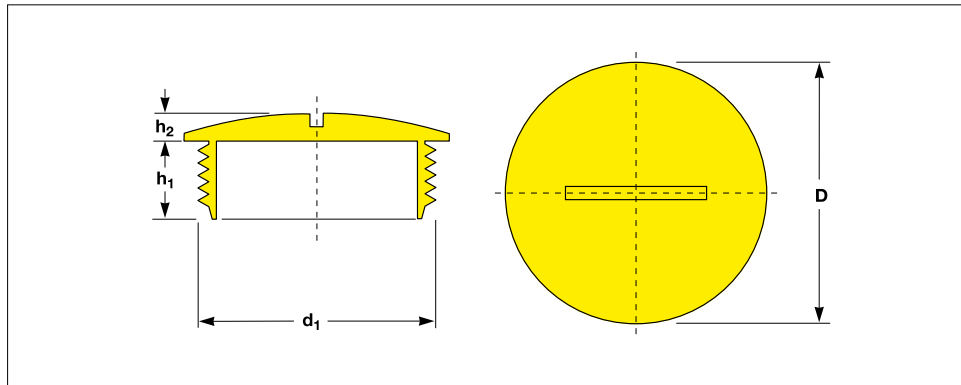


Quick-Fit® Threaded Blanking Plugs

Close existing threads to secure unused ports for future use



Metric DIN 46 320

All dimensions in mm

Thread size	Flange	Depth		Material	Reference-No.
		d ₁	D		
M 12 × 1.5	15.0			PS	EPN 450 / M 12 × 1.5
M 16 × 1.5	20.0			PS	EPN 450 / M 16 × 1.5
M 20 × 1.5	24.0			PS	EPN 450 / M 20 × 1.5
M 25 × 1.5	30.0			PS	EPN 450 / M 25 × 1.5
M 32 × 1.5	38.0			PS	EPN 450 / M 32 × 1.5
M 40 × 1.5	46.0			PS	EPN 450 / M 40 × 1.5
M 50 × 1.5	56.0			PA-GF	EPN 450 / M 50 × 1.5
M 63 × 1.5	69.7			PA-GF	EPN 450 / M 63 × 1.5

Material :
PS,
durable polystyrene

Standard Colours :
light grey RAL 7035
dark grey RAL 7001
black RAL 9005

optional :
white RAL 9010
red RAL 3000

Optional colours on request.

Close existing threads to secure unused ports for future use.

Think Plastic. Go Protec.®



PG

All dimensions in mm

PG 7	15.0	6.0	2.0	PS	EPN 450 / PG 7
PG 9	19.0	6.0	3.0	PS	EPN 450 / PG 9
PG 11	22.0	6.5	3.0	PS	EPN 450 / PG 11
PG 13.5	25.0	6.0	3.5	PS	EPN 450 / PG 13.5
PG 16	27.0	6.5	3.5	PS	EPN 450 / PG 16
PG 21	33.0	8.0	4.0	PS	EPN 450 / PG 21
PG 29	44.0	8.0	4.0	PS	EPN 450 / PG 29
PG 36	55.0	10.0	5.0	PS	EPN 450 / PG 36
PG 42	62.0	10.0	6.0	PS	EPN 450 / PG 42
PG 48	69.0	12.0	5.0	PS	EPN 450 / PG 48

Should your requirements not be shown please ask for a separate quotation.
PROTEC products and specifications are subject to improvement and change without notice.

Quick-Fit® Threaded Blanking Plugs

Close existing threads to secure unused ports for future use

TRIPLE ADVANTAGE of PROTEC QUICK-FIT®

QUALITY. This range fits a variety of Metric and PG thread sizes and can be applied for plugging threads in panels from 12mm to 63mm in diameter.

AVAILABILITY. With over 400 million moulded components shipped from our UK logistics center we provide the fastest on time delivery service to all industries of the UK market.

PHILOSOPHY. The highest degree of Protec Quick-Fit functionality and safety at the best price in the market.



Material :
PS,
durable polystyrene

Standard Colours :
light grey RAL 7035
dark grey RAL 7001
black RAL 9005

optional :
white RAL 9010
red RAL 3000

Optional colours on request.

Individual Productions :
On request we develop and produce individually tailored solutions next to the standard items of this range: additional dimensions, different materials and new colours

We would be pleased to advise you.

Think Plastic. Go Protec.®

**PROTEC
PLASTICS**