

PROTEC PROSICON® EPS 150

High Temp Masking Silicone Cone Caps / Plugs

PROTEC
PLASTICS



YOUR PROSICON® PRODUCT ADVANTAGE. BEST PRICE PERFORMANCE IN THE MARKET.

HIGH TEMP MASKING SILICONE CONE CAPS / PLUGS.

Dual Role Application. Can be used as a plug or cap due to conical shaft design. Ideal for closing grub screws, bolts and fitting bores with contact surfaces. Recommended for Powder coating, e-coating, plating & anodizing.

PREMIUM SILICONE MATERIAL PROPERTIES.

Prosicon® Silicone rubber 55 shore A withstands temperatures up to max. 316 ° C / 4 hours. On request also in EPDM material up to max. 177 ° C available.

PROSICON® BLU SIGNATURE® PRODUCT CODE.

Premium. Reusable. Stabilized with Special Blends.

COLOR OPTIONS.

Natural. Also available in colour coding.

TECHNICAL CLEANLINESS FOR ACCURATE MASKING.

Prosicon® Silicone Maskign Caps and Plugs are stabilized and tempered separately. This process improves dimensional stability and prevents plasticizer exudation during customer applications under high temperature conditions.

PREMIUM SILICONE MATERIAL PROPERTIES.

Prosicon® Silicone Maskign Caps and Plugs have an excellent resistance to high temperature, chemicals and acids and can be used several times without loss of quality

HEAT RESISTANT!

MATERIALS SELECTION GUIDE.

EPDM rubber, Neoprene, NBR rubber, SBR, TPE, ecc.

APPLICATION.

High Temperature Masking Caps and Plugs to protect your product during finishing processes like powder coating, KTL, Wet painting, anodizing, electroplating and e.coating treatments. Extremely temperature resistant up to 316° C, robust, versatile and time-saving in application.

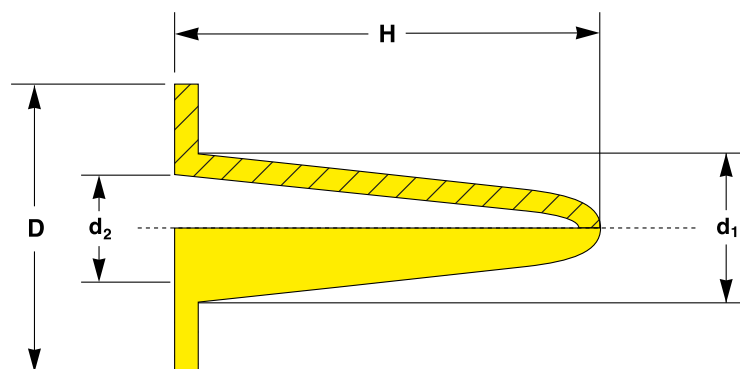
SILICONE / EPDM CUSTOM DESIGN AT RECORD SPEED.

We develop your individual parts that are not listed or alternative dimensional designs of this range that are tailored to your requirements.

Customized.	For your special application
Time Saver.	Rapid Prototyping & Hi-Speed functional samples
Hi-Speed.	Fast Lane Serial Mold Construction
Unbeatable.	At the best price in the market

PROTEC PROSICON® EPS 150

High Temp Masking Silicone Cone Caps / Plugs



DIMENSIONS

All dimensions in mm

Dimensions				Standard Pack	Reference No.
d_1	d	D	H		
6.35	3.30	12.70	23.01	500	EPS 150 / 0250-0130
8.03	5.49	12.70	25.40	500	EPS 150 / 0316-0216
8.51	4.50	15.88	25.40	500	EPS 150 / 0335-0177
10.01	5.00	16.51	27.99	500	EPS 150 / 0394-0197
10.16	5.84	16.13	27.94	250	EPS 150 / 0400-0230
14.00	8.00	19.05	35.99	250	EPS 150 / 0551-0315
17.50	11.51	24.89	38.10	250	EPS 150 / 0689-0453
19.48	13.51	27.94	51.03	100	EPS 150 / 0767-0532
20.80	14.81	25.40	49.00	100	EPS 150 / 0819-0583
22.00	16.00	30.99	53.01	100	EPS 150 / 0866-0630

Should your requirements not be shown please ask for a separate quotation.
 PROTEC products and specifications are subject to improvement and change without notice.